

FILLING PANEL VALVES



FILLING PANEL VALVES - Stainless Steel

This STAINLESS STEEL robust lever valve is manufactured for the filling of compressed air bottles. The valves open, close and discharge with a single operation of the lever. These valves are designed to be assembled on filling panels and are recommended for frequent filling of bottles.



DESCRIPTION	CODE	Price
Lever valve G3/8" Female (max 350 BAR)	PA112-530	--,-- €

DESCRIPTION	CODE	Price
Lever valve G1/4" Male (max 350 BAR)	PA112-535	--,-- €

FILLING PANEL VALVES



DESCRIPTION	CODE	Price
Lever valve DIN 200 safety flow stop (max 250 BAR)	PA112-542	--,-- €



DESCRIPTION	CODE	Price
Lever valve DIN 300 safety flow stop (max 350 BAR)	PA100-552	--,-- €



DESCRIPTION	CODE	Price
Lever valve 1m hose DIN 200 safety flow stop (max 250 BAR)	PA112-541	--,-- €



DESCRIPTION	CODE	Price
Lever valve 1m hose DIN 300 safety flow stop (max 350 BAR)	PA112-551	--,-- €

FILLING VALVES



LEVER VALVES



DESCRIPTION	CODE	Price
Lever valve DIN 200 safety flow stop (max 250 BAR)	PA112-642	--,-- €

DESCRIPTION	CODE	Price
Lever valve DIN 300 safety flow stop (max 350 BAR)	PA100-652	--,-- €

MAINTENANCE KIT for FILLING VALVES



DESCRIPTION	CODE	Price
Full Maintenance kit FOR ALL FILLING VALVE MODELS	PA112-905	--,-- €

DESCRIPTION	CODE	Price
Maintenance kit mechanical seals FOR ALL FILLING VALVE MODELS	PA112-906	--,-- €

FILLING PANELS

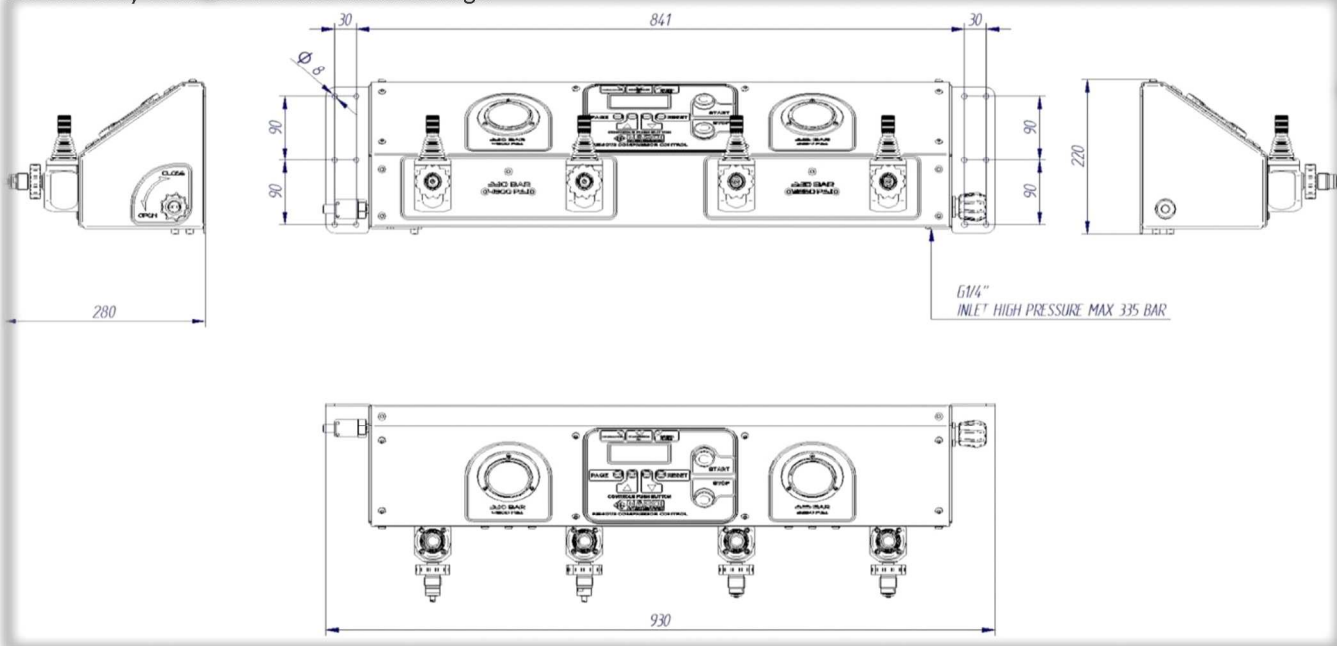
Filling Panels by **NARDI COMPRESSORI** are completely stainless steel coated and they have four (4) filling connections. These can be supplied for fills in 200BAR, 300BAR or both pressures. The installation of an integrated pressure reducer allows simultaneous fills in dual pressure. The **NARDI COMPRESSORI FITTINGS** can sustain bottles, connected directly to the valves, with a weight up to max 15kg.

Filling panels can be installed in environments with temperatures between -5°C and + 45°C.

The Filling Panel can be positioned in a separate room away from the compressor. If a remote controller is installed it can communicate with the compressor and obtain all the information directly on the controller.

Therefore, users can turn ON and switch OFF the compressor, check pressures and temperatures and filter status directly from remote controller.

All valves on the **NARDI COMPRESSORI FILLING PANELS** are equipped with a safety device which allows airflow only if the valve is correctly connected to the bottle fittings.



FILLING PANELS



FILLING PANELS



DESCRIPTION	CODE	Price
Filling panel with 4 hoses PN 200 bar	PA118-005	--,-- €



DESCRIPTION	CODE	Price
Filling panel with 4 hoses PN 300 bar	PA118-010	--,-- €



DESCRIPTION	CODE	Price
Filling panel with 2 hoses PN 200 bar + 2 hoses PN 300 bar	PA118-015	--,-- €



DESCRIPTION	CODE	Price
Filling panel with 4 hoses PN 200 bar with compressor remote controller	PA118-055	--,-- €



DESCRIPTION	CODE	Price
Filling panel with 4 hoses PN 300 bar with compressor remote controller	PA118-060	--,-- €



DESCRIPTION	CODE	Price
Filling panel with 2 hoses PN 200 bar + 2 hoses PN300 whit remote controller	PA118-065	--,-- €

FILLING PANELS



DESCRIPTION	CODE	Price
-------------	------	-------

Filling panel with 4-levers DIN 200 PA118-106 --,-- €



DESCRIPTION	CODE	Price
-------------	------	-------

Filling panel with 4-levers DIN 300 PA118-111 --,-- €



DESCRIPTION	CODE	Price
-------------	------	-------

Filling panel with 2-levers
DIN 200 + 2-levers DIN 300 PA118-116 --,-- €



DESCRIPTION	CODE	Price
-------------	------	-------

Filling panel with 4-levers DIN 200
with compressor remote controller PA118-156 --,-- €



DESCRIPTION	CODE	Price
-------------	------	-------

Filling panel with 4-levers DIN 300
with compressor remote controller PA118-161 --,-- €



DESCRIPTION	CODE	Price
-------------	------	-------

Filling panel with 2-levers DIN 200 +
2-levers DIN 300 with compressor
remote controller PA118-166 --,-- €

FILLING PANELS



FILLING PANELS



DESCRIPTION	CODE	Price
Filling panel with 4- levers for hoses PN200 bar	PA118-211	--,-- €



DESCRIPTION	CODE	Price
Filling panel with 4- levers for hoses PN300 bar	PA118-215	--,-- €



DESCRIPTION	CODE	Price
Filling panel with 2-levers PN200 bar + 2-levers PN300 bar for hoses	PA118-256	--,-- €



DESCRIPTION	CODE	Price
Filling panel with 4-levers PN200 bar for hoses with remote controller	PA118-260	--,-- €



DESCRIPTION	CODE	Price
Filling panel with 4-levers PN300 bar for hoses with remote controller	PA118-261	--,-- €



DESCRIPTION	CODE	Price
Filling panel with 2-levers PN200 bar + 2-levers PN300 bar with remote controller	PA118-265	--,-- €

HOSES & HAND WHEEL VALVES



DESCRIPTION	CODE	Price
-------------	------	-------

Hose 1m 1/4"G	PA113-100	--,-- €
---------------	-----------	---------



DESCRIPTION	CODE	Price
-------------	------	-------

Hose 1m 1/4"G	PA113-110	--,-- €
---------------	-----------	---------



DESCRIPTION	CODE	Price
-------------	------	-------

DIN 200 with flow stop for hoses	PA112-600	--,-- €
----------------------------------	-----------	---------



DESCRIPTION	CODE	Price
-------------	------	-------

DIN 300 with flow stop for hoses	PA112-601	--,-- €
----------------------------------	-----------	---------