

NARDI **COMPRESSORI** **HIGH PRESSURE**

Quality System Certified

ISO 9001:2015



ACCESSORIES

High-Pressure

Catalogue

The filtering systems and cartridges manufactured by NARDI COMPRESSORI have been designed and produced to optimize their efficiency and for maximum safety during their use.

The duty of the NARDI COMPRESSORI extensive filter and cartridge range is to purify air and any compressed gases, to remove water and oil remains and any odors that might pass through mechanical separators. These filters are equipped with an extra mechanical separator which spin-dries air and eliminates liquids prior to entry in the filter intake.

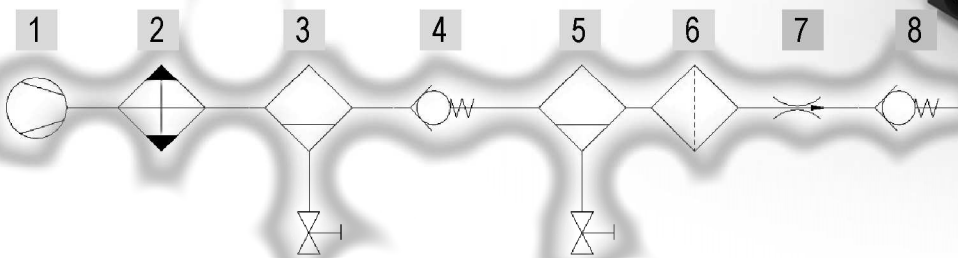
All filters have a maintenance valve to ensure maximum contact of gases with the absorbing materials, this procedure guarantees conformity with breathing air restrictions DIN EN 12021:2014.

The cartridge body is completely built in aluminum, it contains two felt disks to remove larger particles, a molecular sieve to discharge water vapor, activated carbon to eliminate oil vapors and odors and hopcalite (optional) to convert CO to CO₂.

All cartridges go through a decontamination process, they are sealed and vacuum-packed to ensure integrity of the drying material from any external agents over the time.

Utilizing original NARDI COMPRESSORI accessories is a must!

1. Compressor
2. After cooler
3. Separator
4. Check valve
5. Separator in filter
6. Filter cartridge
7. Pressure maintaining valve
8. Check valve



FUNCTIONS OF THE NARDI FILTERING-SYSTEM

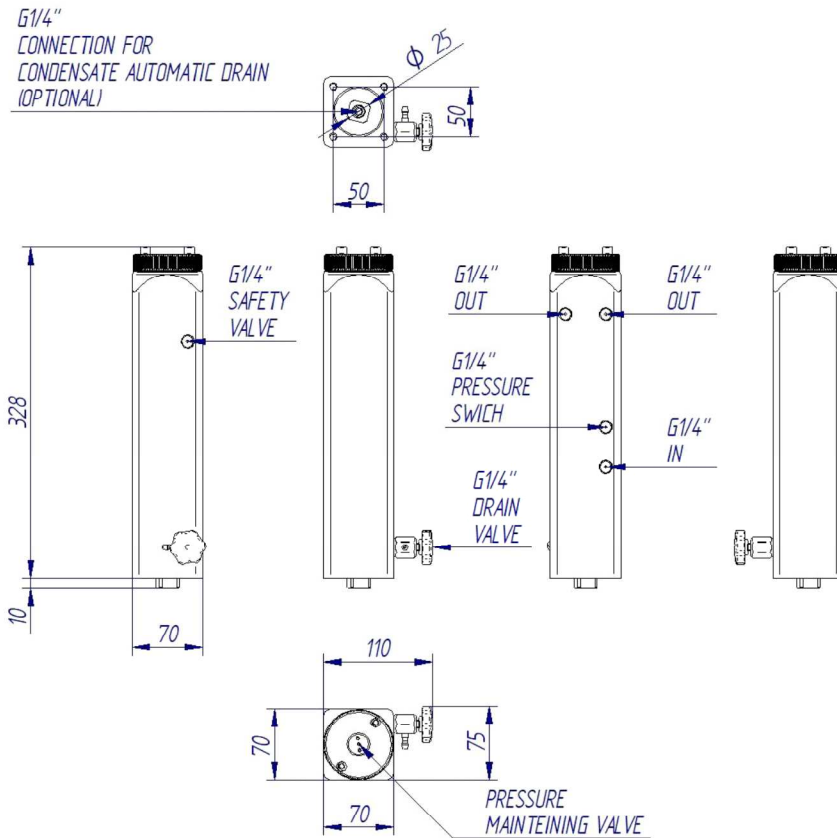
The filtering system is used to purify gases and compressed air in high pressure from any contaminants such as water, oil, odors and other particles.

The NARDI filtering-system guarantees limit values within EN 12021 and EN 8573-1 standards for breathing air and other gases for industrial and professional use.



MODEL	PRESSURE RANGE	FREE AIR CAPACITY
ATL	90/350 BAR – 1300/ 5000 psi	160 l/min – 9,6 m ³ /h – 6 cfm
PAC1	90/450 BAR – 1300/ 6500 psi	350 l/min – 21 m ³ /h – 12 cfm
PAC2	90/450 BAR – 1300/ 6500 psi	450 l/min – 27 m ³ /h – 16 cfm
PAC3	90/450 BAR – 1300/ 6500 psi	600 l/min – 36 m ³ /h – 21 cfm
PAC3 + PAC3	90/450 BAR – 1300/ 6500 psi	1000 l/min – 60 m ³ /h – 35 cfm

ATL FILTERING-SYSTEM

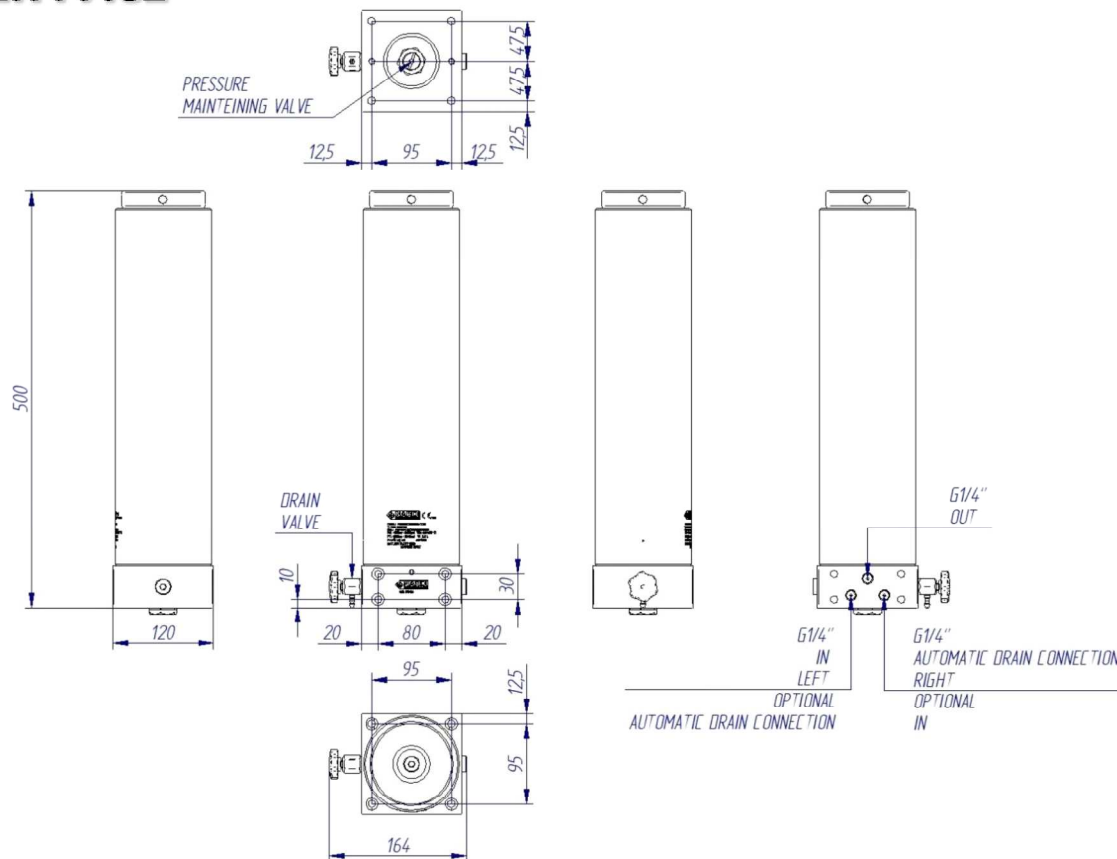


FILTER	DESCRIPTION	CODE
ATL	Filter tower ATL without cartridge for manual condensate drain	AT148-105
ATL	Filter tower ATL without cartridge for automatic condensate drain	AT148-106

CARTRIDGE	DESCRIPTION	CODE
ATL ELET	Cartridge for ATLANTIC electric with MC-AC	AT149-101
ATL GASOL	Cartridge for ATLANTIC gasoline with MC-AC-HO	AT149-102

MC molecular sieve - AC activated carbon - HO hopcalite (CO converter)

FILTER PAC1



FILTER	DESCRIPTION	CODE
PAC1	Filter Tower PAC1 without cartridge with INLET on the LEFT and with maintaining pressure valve, PED CERTIFIED	PA100-181
PAC1	Filter Tower PAC1 without cartridge with INLET on the RIGHT and with maintaining pressure valve, PED CERTIFIED	PA100-182
PAC1	Filter Tower PAC1 without cartridge with INLET on the LEFT and without maintaining pressure valve, PED CERTIFIED	PA100-183
PAC1	Filter Tower PAC1 without cartridge with INLET on the RIGHT and without maintaining pressure valve, PED CERTIFIED	PA100-184

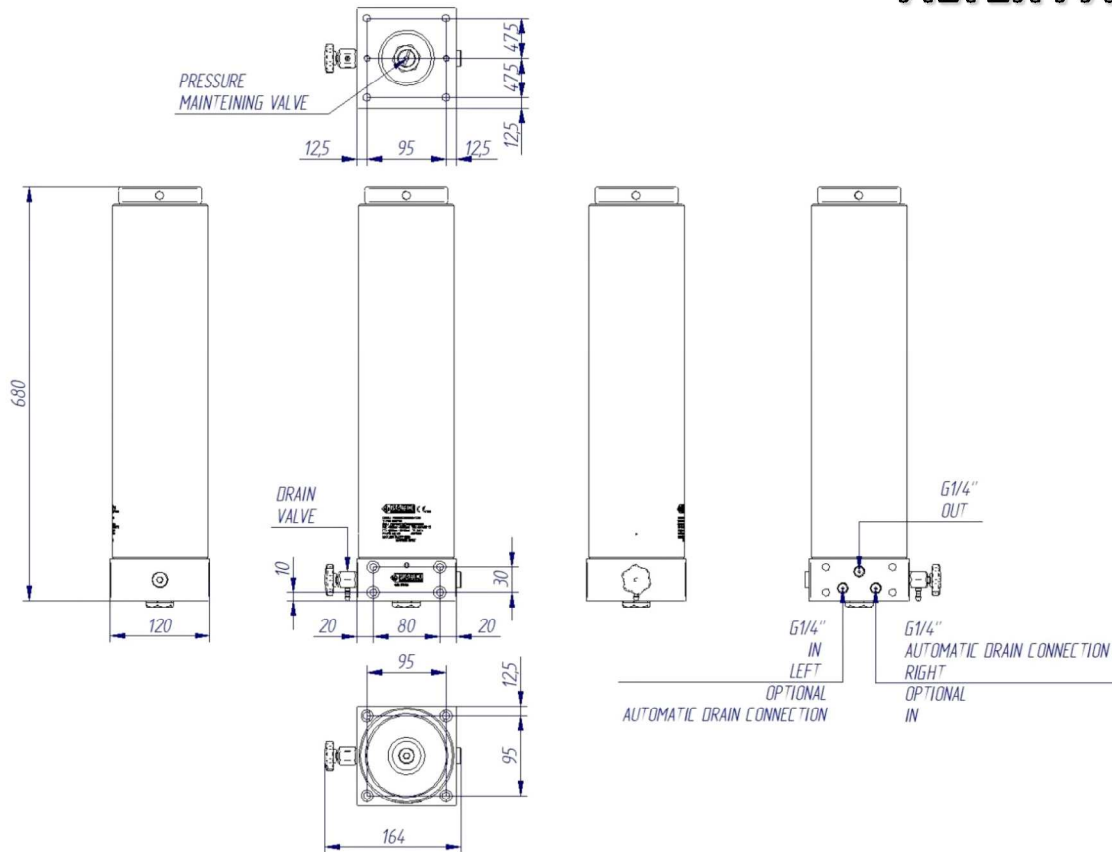
CARTRIDGE	DESCRIPTION	CODE
PAC1 ELET	Cartridge for PAC1 electric with MC-AC	PA100-101
PAC1 GASOL	Cartridge for PAC1 gasoline with MC-AC-HO	PA100-102
PAC1 IND	Cartridge for PAC1 industrial with MC-AC	PA100-103

MC molecular sieve - AC activated carbon - HO hopcalite (CO converter)

MADE IN ITALY BY NARDI COMPRESSORI

Page 05

FILTER PAC2

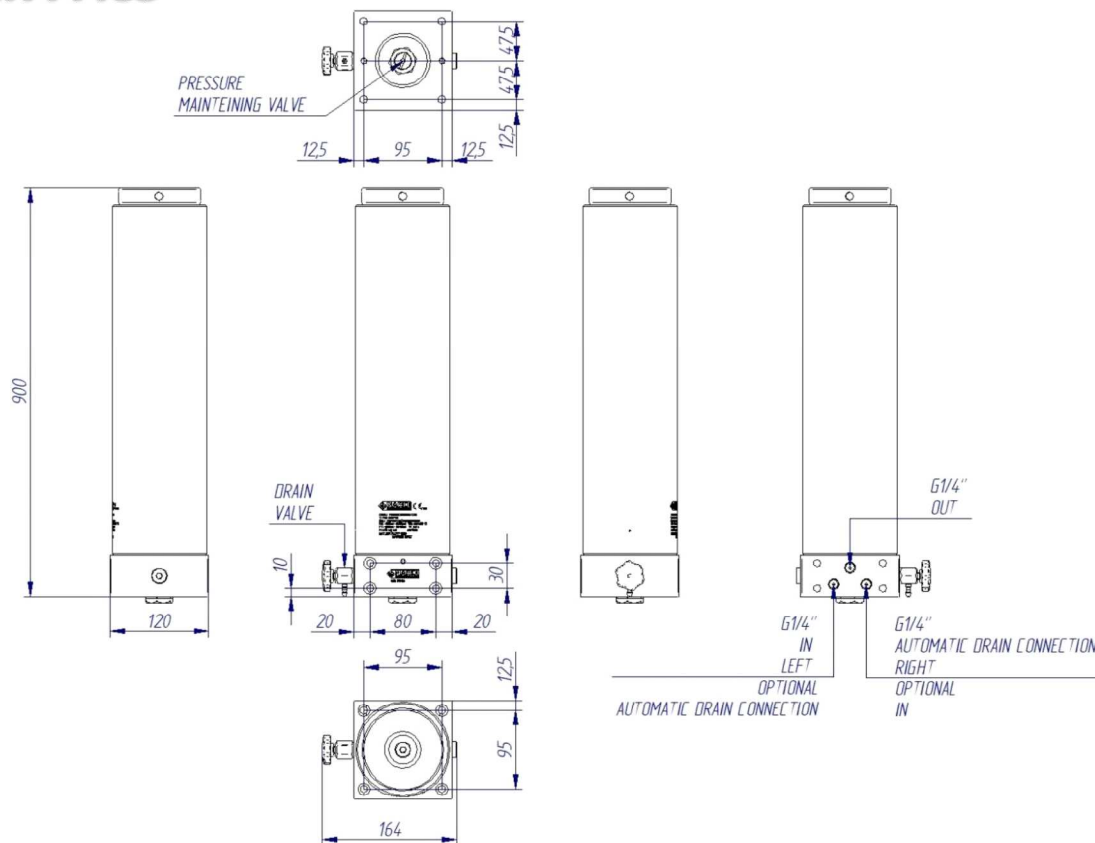


FILTER	DESCRIPTION	CODE
PAC2	Filter Tower PAC2 without cartridge with INLET on the LEFT and with maintaining pressure valve, PED CERTIFIED	PA100-281
PAC2	Filter Tower PAC2 without cartridge with INLET on the RIGHT and with maintaining pressure valve, PED CERTIFIED	PA100-282
PAC2	Filter Tower PAC2 without cartridge with INLET on the LEFT and without maintaining pressure valve, PED CERTIFIED	PA100-283
PAC2	Filter Tower PAC2 without cartridge with INLET on the RIGHT and without maintaining pressure valve, PED CERTIFIED	PA100-284

CARTRIDGE	DESCRIPTION	CODE
PAC2 ELET	Cartridge for PAC2 electric with MC-AC	PA100-201
PAC2 GASOL	Cartridge for PAC2 gasoline with MC-AC-HO	PA100-202
PAC2 IND	Cartridge for PAC2 industrial with MC-AC	PA100-205

MC molecular sieve - AC activated carbon - HO hopcalite (CO converter)

FILTER PAC3



FILTER	DESCRIPTION	CODE
PAC3	Filter Tower PAC3 without cartridge with INLET on the LEFT and with maintaining pressure valve, PED CERTIFIED	PA100-381
PAC3	Filter Tower PAC3 without cartridge with INLET on the RIGHT and with maintaining pressure valve, PED CERTIFIED	PA100-382
PAC3	Filter Tower PAC3 without cartridge with INLET on the LEFT and without maintaining pressure valve, PED CERTIFIED	PA100-383
PAC3	Filter Tower PAC3 without cartridge with INLET on the RIGHT and without maintaining pressure valve, PED CERTIFIED	PA100-384

CARTRIDGE	DESCRIPTION	CODE
PAC3 ELET	Cartridge for PAC3 electric with MC-AC	PA100-301
PAC3 GASOL	Cartridge for PAC3 gasoline with MC-AC-HO	PA100-302
PAC3 IND	Cartridge for PAC3 industrial with MC-AC	PA100-305

MC molecular sieve - AC activated carbon - HO hopcalite (CO converter)

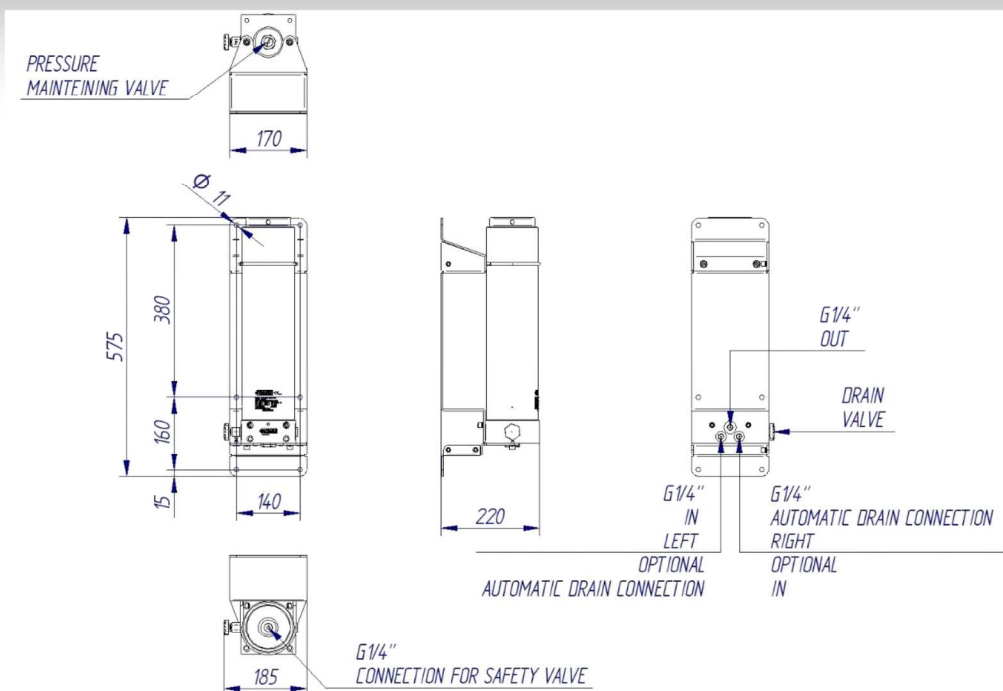
MADE IN ITALY BY NARDI COMPRESSORI

Page 07

PAC FILTER WALL MOUNTING SYSTEM



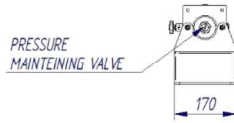
WALL MOUNTING PAC1



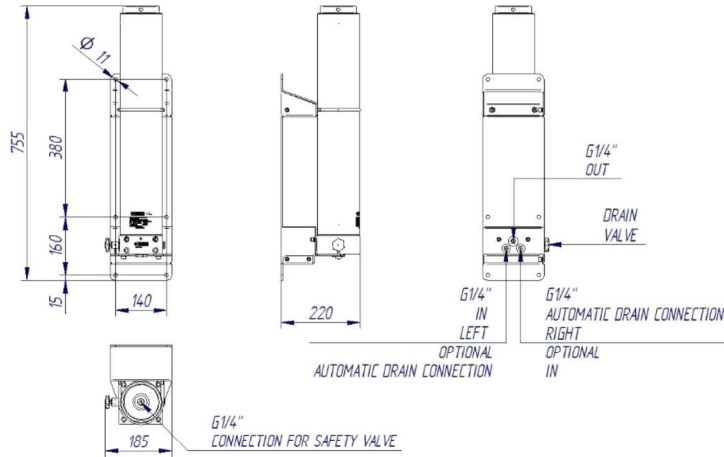
FILTER	DESCRIPTION	CODE
PAC1	Filter Tower PAC1 with wall mounting system without cartridge with INLET on the LEFT, with maintaining pressure valve, PED CERTIFIED	PA100-191
PAC1	Filter Tower PAC1 with wall mounting system without cartridge with INLET on the RIGHT, with maintaining pressure valve, PED CERTIFIED	PA100-192

SUPPLIED WITHOUT SAFETY VALVE

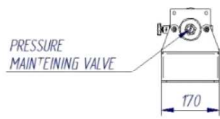
PURIFICATION SYSTEM



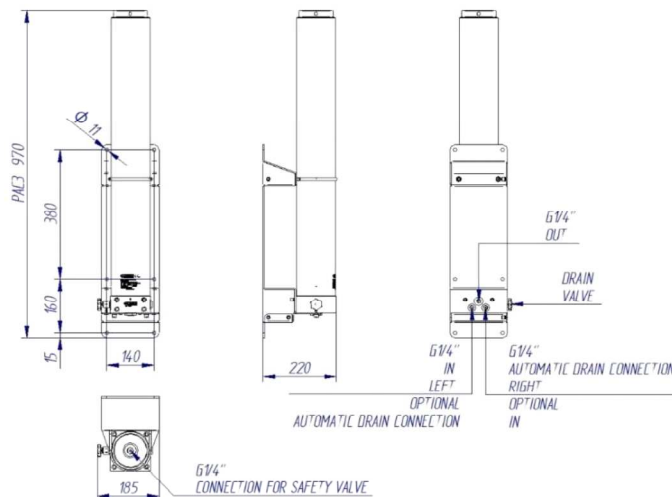
WALL MOUNTING PAC2



FILTER	DESCRIPTION	CODE
PAC2	Filter Tower PAC2 with wall mounting system without cartridge with INLET on the LEFT, with maintaining pressure valve, PED CERTIFIED	PA100-291
PAC2	Filter Tower PAC2 with wall mounting system without cartridge with INLET on the RIGHT, with maintaining pressure valve, PED CERTIFIED	PA100-292



WALL MOUNTING PAC3



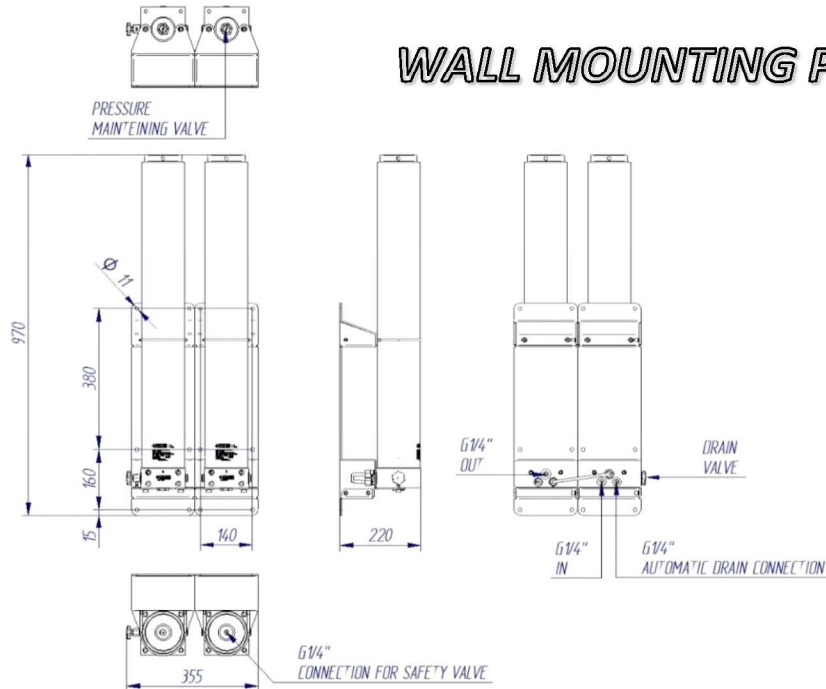
FILTER	DESCRIPTION	CODE
PAC3	Filter Tower PAC3 with wall mounting system without cartridge with INLET on the LEFT, with maintaining pressure valve, PED CERTIFIED	PA100-391
PAC3	Filter Tower PAC3 with wall mounting system without cartridge with INLET on the RIGHT, with maintaining pressure valve, PED CERTIFIED	PA100-392

SUPPLIED WITHOUT SAFETY VALVE

MADE IN ITALY BY NARDI COMPRESSORI

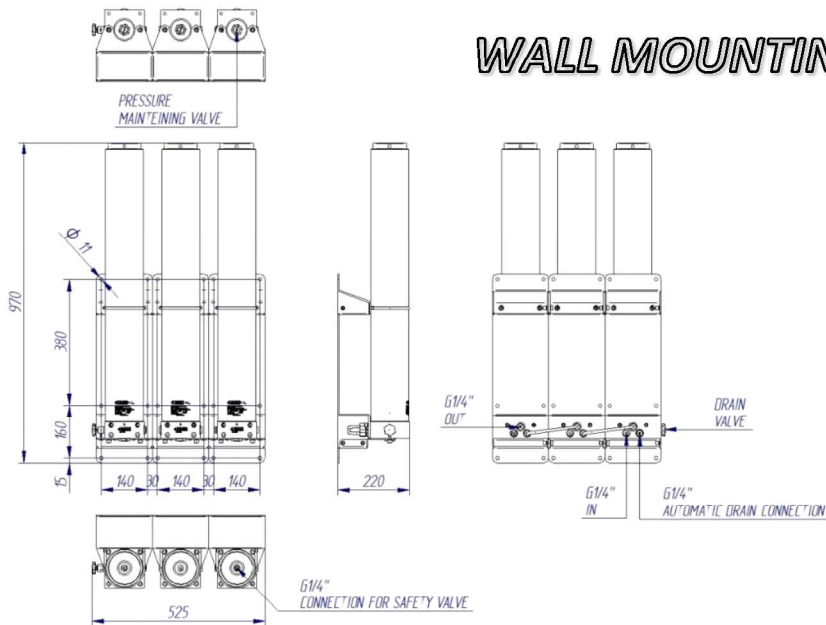
Page 09

WALL MOUNTING PAC3 x 2



FILTER	DESCRIPTION	CODE
PAC3+PAC3	2 Filter Towers PAC3 with wall mounting system without cartridge with INLET on the LEFT, with maintaining pressure valve, PED CERTIFIED	PA100-394

WALL MOUNTING PAC3 x 3



FILTER	DESCRIPTION	CODE
PAC3+PAC3+PAC3	3 Filter Towers PAC3 with wall mounting system without cartridge with INLET on the LEFT, with maintaining pressure valve, PED CERTIFIED	PA100-396

SUPPLIED WITHOUT SAFETY VALVE

COMPONENTS FOR FILTERING SYSTEM



DESCRIPTION	CODE	Price
Filter connection G1/4'' for tube ϕ 6 mm (without washer)	PA100-151	--,-- €
Bonded washer gasket G1/4''	HR701-012	--,-- €



DESCRIPTION	CODE	Price
Filter connection G1/4'' for tube ϕ 6mm with check valve (without washer)	PA100-149	--,-- €
Bonded washer gasket G1/4''	HR701-012	--,-- €



DESCRIPTION	CODE	Price
Filter connection G1/4'' for tube ϕ 8mm (without washer)	PA100-152	--,-- €
Bonded washer gasket G1/4''	HR701-012	--,-- €



DESCRIPTION	CODE	Price
Filter connection G1/4'' for tube ϕ 8mm with check valve (without washer)	PA100-150	--,-- €
Bonded washer gasket G1/4''	HR701-012	--,-- €



DESCRIPTION	CODE	Price
Drain valve G1/4''	AT140-100	--,-- €



DESCRIPTION	CODE	Price
Closure plug G1/4''	HR176-002	--,-- €

AUTOMATIC DRAIN SYSTEM

The **NARDI COMPRESSORI** condensation drain system is the most efficient device on the market. Its small dimensions make its installation very simple. Inside this drain system you can find the **NARDI SLOW FLOW SYSTEM**, a series of **PATENTED** components which reduce the waste of compressed gases during discharge to the minimum, with a very low depressurization of the whole system. Compared to traditional condensation drains, the **NARDI AUTOMATIC DRAIN SYSTEM** needs no gas separators from oil and water, because condensation runs directly into the liquid collection container. There is no need for extra components to be installed in the compressor, and at the same time it reduces the loss of compressed air or gas by 80%.



DESCRIPTION	CODE	Price
AUTOMATIC CONDENSATE DRAIN for compressor PACIFIC 16 – 23 – 27 – 30 electric version with tube for connection to separator (for electronic control)	PA105-011	--,- €
AUTOMATIC CONDENSATE DRAIN for compressor PACIFIC 16 – 23 – 27 – 30 GASOLINE and DIESEL version with timer 12 volt with tube for connection to separator	PA105-012	--,- €
AUTOMATIC CONDENSATE DRAIN for compressor PACIFIC 16 – 23 – 27 – 30 with timer 220 volt with cable for single phase, with tube for connection to separator	PA105-013	--,- €
AUTOMATIC CONDENSATE DRAIN for compressor PACIFIC 35 electric version with tube for connection to separator (for electronic control)	PA105-015	--,- €
AUTOMATIC CONDENSATE DRAIN for compressor PACIFIC 35 GASOLINE and DIESEL version with timer 12 volt, with tube for connection to separator	PA105-016	--,- €
AUTOMATIC CONDENSATE DRAIN for compressor PACIFIC 35 with timer 220 volt, with cable for single phase, with tube for connection to separator	PA105-017	--,- €
AUTOMATIC CONDENSATE DRAIN for compressor PACIFIC 48 – 60 electric version with tube for connection to separator (for electronic control)	PA105-020	--,- €
AUTOMATIC CONDENSATE DRAIN for compressor PACIFIC 68 – 85 electric version with tube for connection to separator (for electronic control)	PA105-025	--,- €